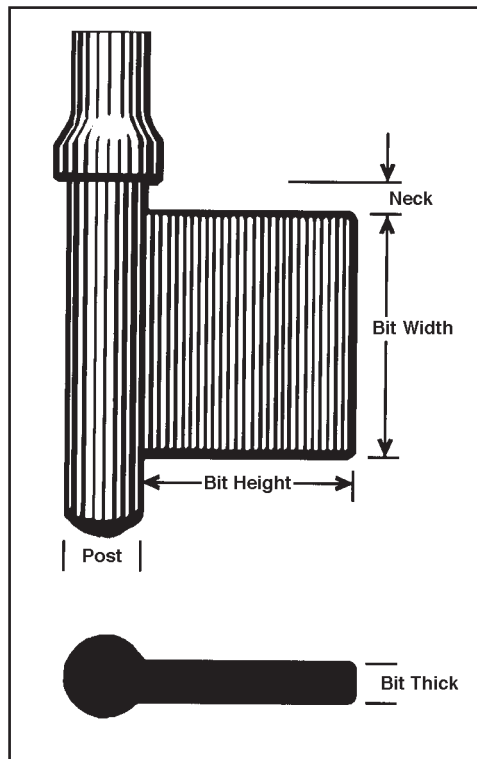


DETERMINING SPECIFICATIONS ON BIT KEYS

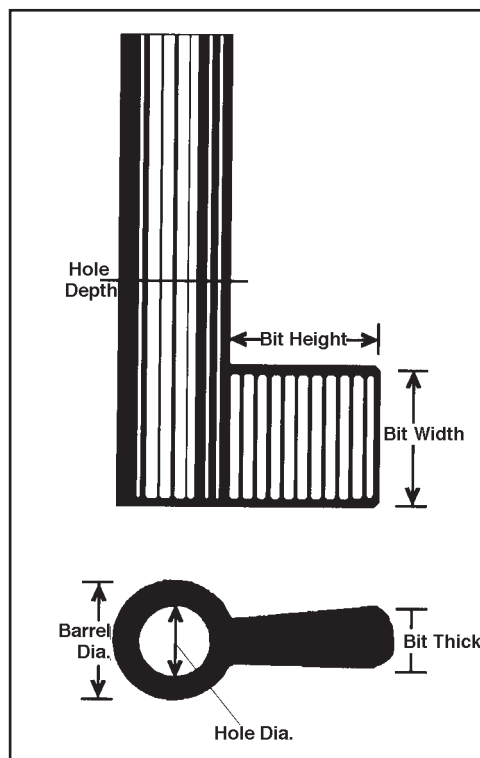


Dimensions of a Bit Key

The following pages show our selection of Bit and Barrel Key Blanks. This page will help you identify the key blank you are looking for.

- The chart below lists various types of materials used in Bit and Barrel key blanks.
- Measurements below each key drawing are shown in hundredths of an inch and tenths of a millimeter. Please understand that these styles of key blanks are not made to the same tolerances of cylinder key blanks by the nature of the processes utilized. If the dimensions are close they will more than likely work.

Diagrams (left) show how the bit and barrel keys are measured so you can understand what to measure for comparison.



Dimensions of a Barrel Key

Materials Used

- | | |
|----------------------|--|
| MI | - malleable iron |
| Steel/Plastic | - a nickel plated steel shaft with a plastic tip |
| Steel/Zinc | - a nickel plated steel shaft with a die cast zinc tip |
| Brass | - a brass die cast key blank |
| Prec. Cast | - a precision zinc die cast key blank |